

4

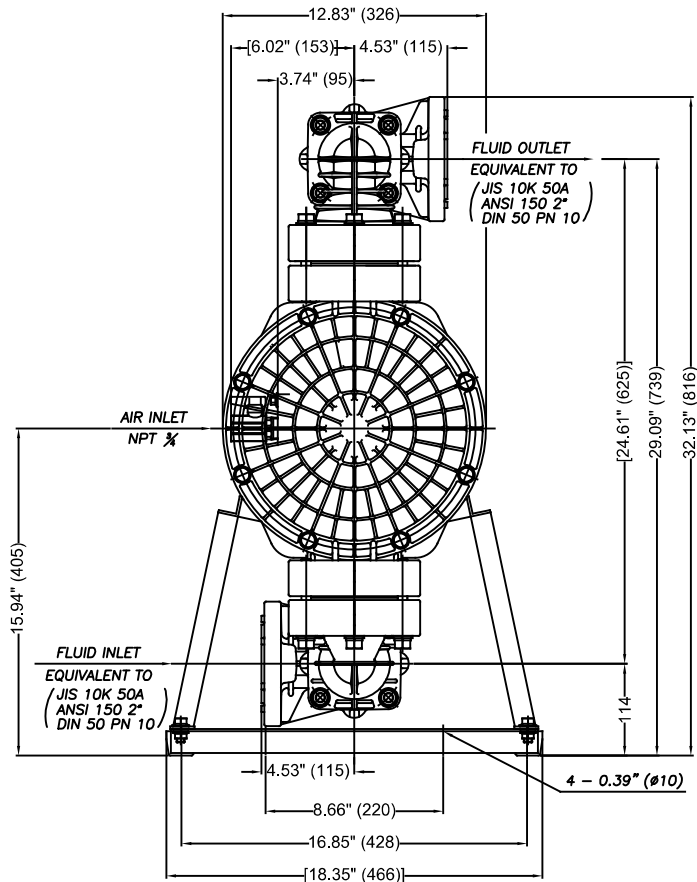
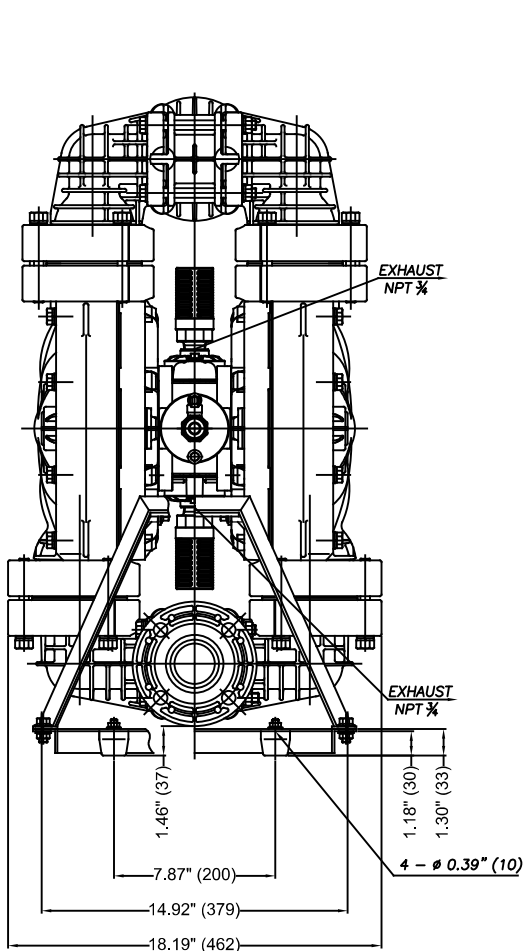
3

2


1

Materials of Construction	
PUMP BODY MATERIAL	PVDF
DIAPHRAGM MATERIAL	T=PTFE
	H=TPEE
	S=TPD
	V=FKM
	E=EPDM

REVISIONS			
REV	DESCRIPTION	DATE	APPROVED
A	RELEASED	01/15/2026	JP



NOTES:  
1. SOME FEATURES MAY VARY SLIGHTLY.

<p><b>PROPRIETARY</b></p> <p>THIS DRAWING CONTAINS CONFIDENTIAL INFORMATION PROPRIETARY TO IWAKI AMERICA. IT MUST NOT BE REPRODUCED OR FORWARDED TO OTHERS OR USED IN ANY OTHER WAY, IN WHOLE OR IN PART, UNLESS AUTHORIZED IN WRITING BY IWAKI AMERICA.</p>		<p><b>TOLERANCES</b></p> <p>DIMENSIONS IN INCHES UNLESS OTHERWISE NOTED</p> <p>X = .050 XX = .010 .XXX = .00</p> <p>REBURR AND BREAK ALL SHARP EDGES</p>		 <p>www.IwakiAir.com</p>		<p>5 Boynton Rd. Hopping Brook Park Holliston, MA 01746 (508) 429-1440</p>	
MATERIAL				SEE CHART			
BY	DATE	SIZE	DWG NO.	DESCRIPTION		REV	
BA	01/15/2026	B	TC-X00207	TC-X500V_A-M		A	
APPROVED	DATE	SCALE: FULL		THIRD ANGLE PROJECTION	SHEET: 1 OF 1		
JP	01/15/2026						

4

3

2

1